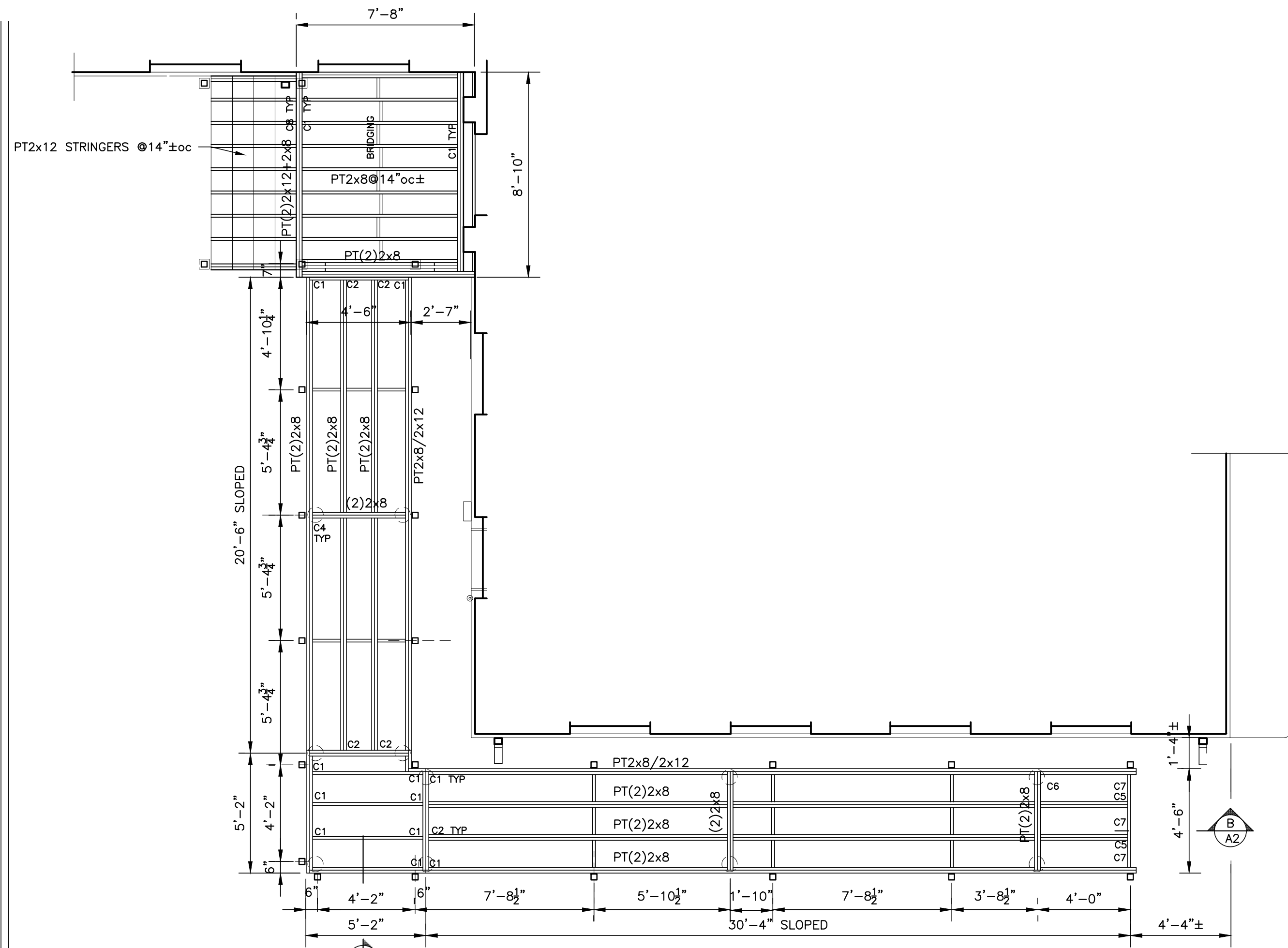
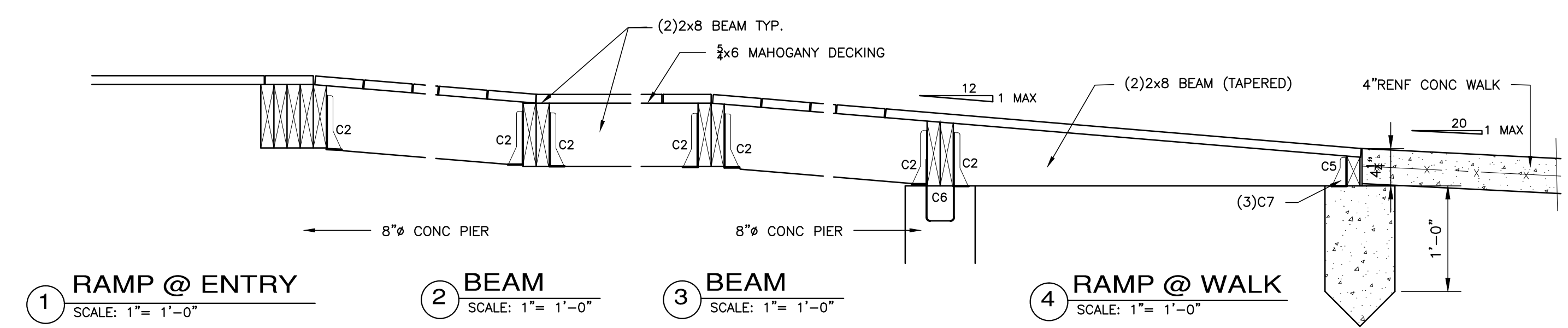


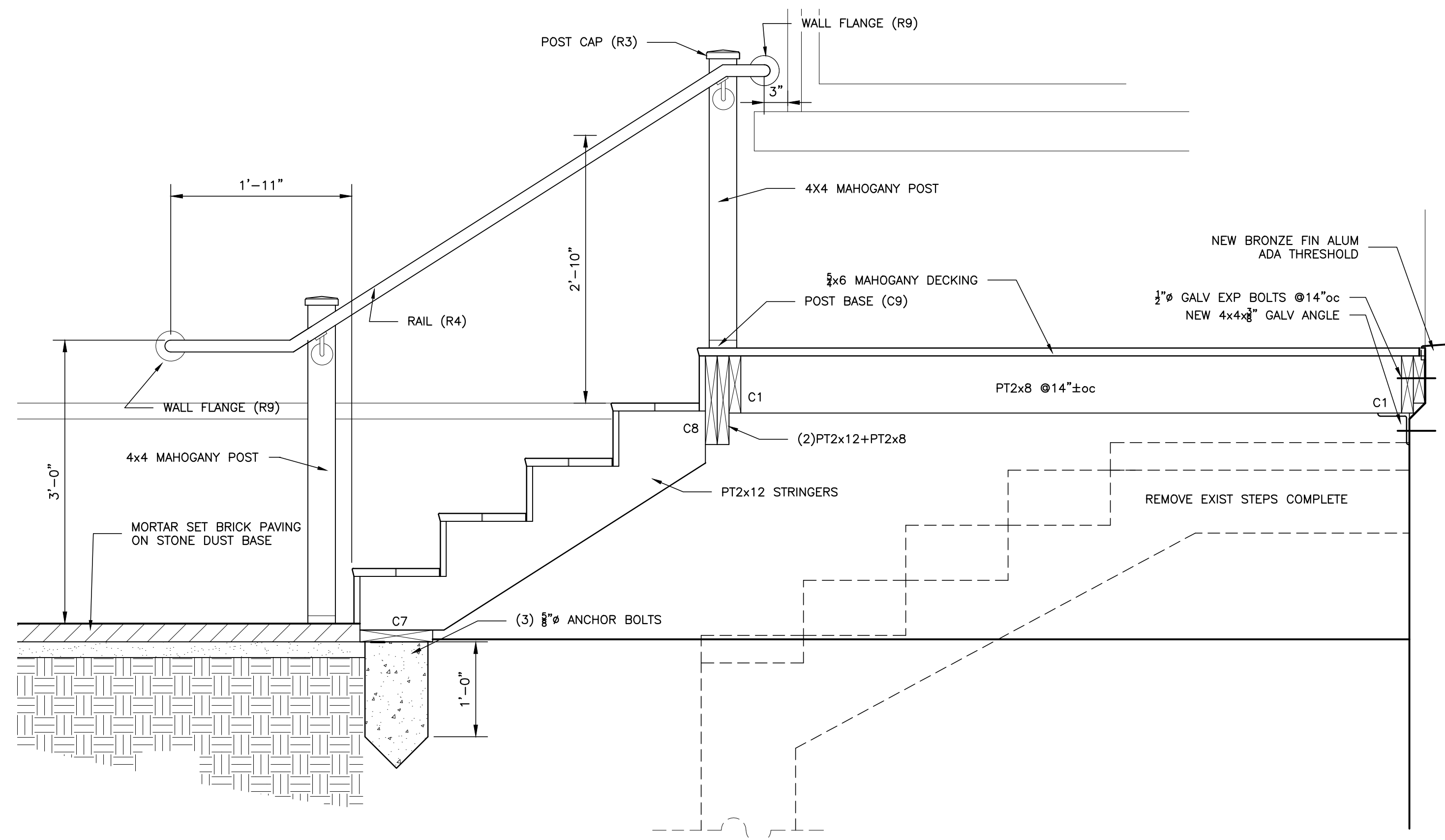
**LOAD DATA**  
 BASIC SNOW LOAD - 45 PSF  
 FLOOR LIVE LOAD - 100 PSF  
 GUARDRAILS/HANDRAILS - 50 PLF  
 200# CONCENTRATED  
 WIND SPEED (3 SECOND) - 110 MPH  
 WIND SPEED (FASTEST MILE) - 90 MPH  
 EXPOSURE B  
 WEATHERING - SEVERE  
 (ALL CONCRETE 3500 PSI MIN)  
 FOOTING DEPTH - 4'-0" MIN  
 SOIL - TYPE SW  
 PRESUMPTIVE BEARING VALUE - 2000 PSF



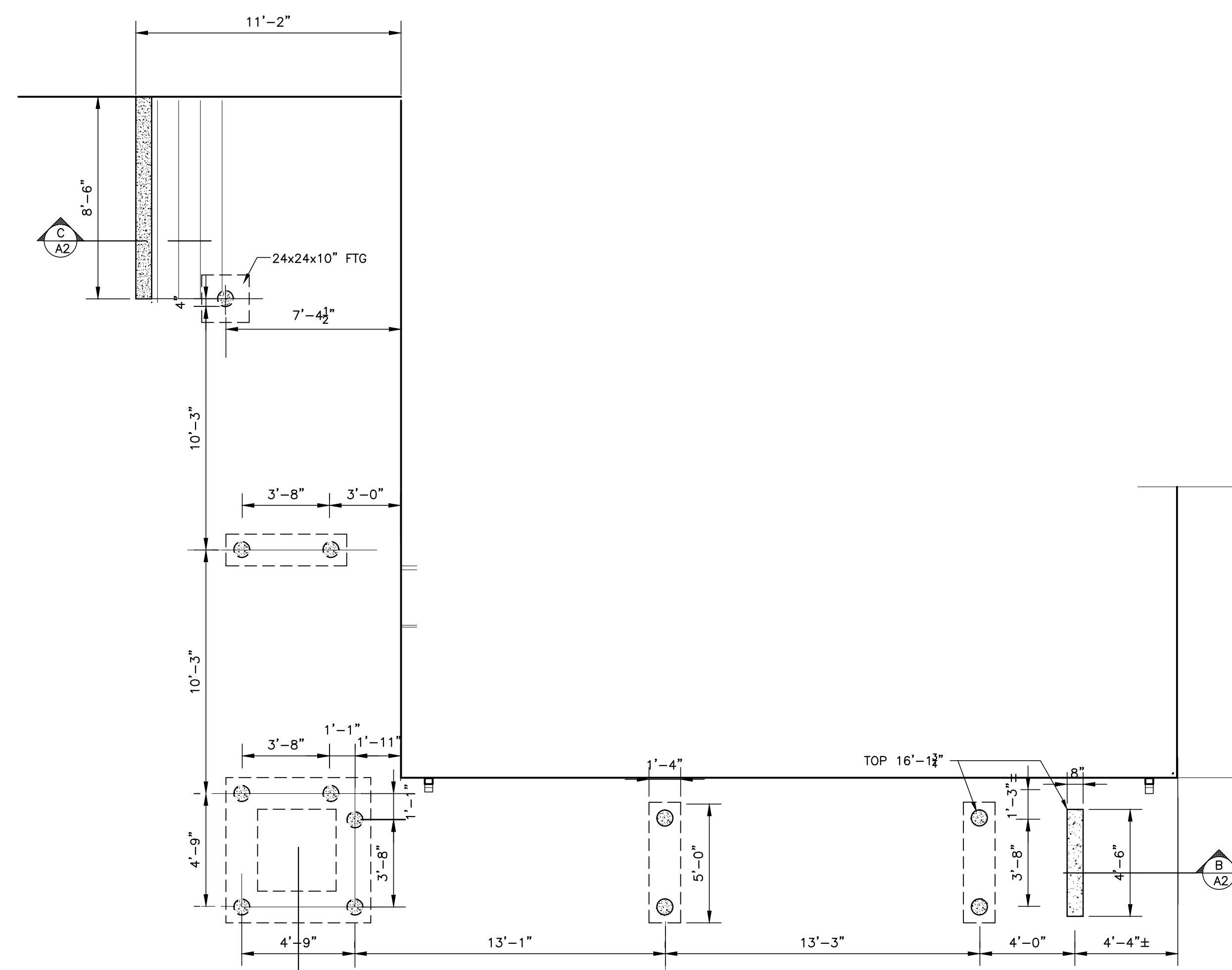
**FRAMING PLAN @ RAMP**  
 SCALE: 1/4"=1'-0"



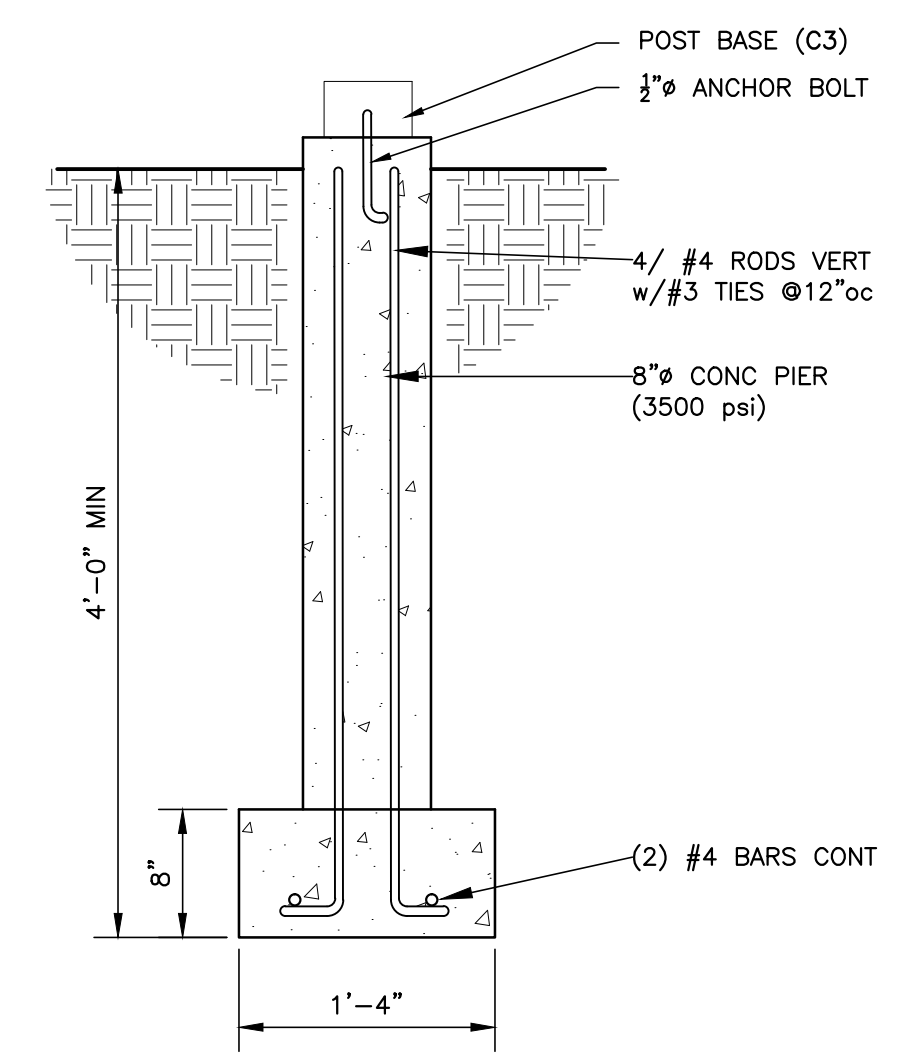
**1 RAMP @ ENTRY** SCALE: 1"=1'-0"  
**2 BEAM** SCALE: 1"=1'-0"  
**3 BEAM** SCALE: 1"=1'-0"  
**4 RAMP @ WALK** SCALE: 1"=1'-0"



**5 RECONSTRUCTED STAIRS**  
 SCALE: 1"=1'-0"



**FOUNDATION PLAN @ RAMP**  
 SCALE: 1/4"=1'-0"



**6 TYP. PIER**  
 SCALE: 1"=1'-0"

CONNECTOR SCHEDULE		
CONNECTION	SIMPSON CONNECTOR	SPACING
C1	2x8 JOIST HANGER	LSU28
C2	(2)2x8 JOIST HANGER	LSU28-2
C3	6x6 POST BASE	ABU66Z
C4	6x6 POST CAP	PAIR LBC6Z
C5	(2)2x4 JOIST HANGER	LSU24-2
C6	BEAM SEAT	EPS4Z
C7	ANGLE	A23
C8	STRINGER HANGER	LSSU28
C9	4x4 POST BASE	CPS4

DATES	
BID	7.25.16
PITCH ADJUSTMENTS	10.25.16
PITCH ADJUSTMENTS	11.05.16
REVISIONS	2.05.17
REVISIONS / REBID	11.30.17

PROJECT NO  
**1116**

DRAWING NO  
**S1**

**RAMP**  
 at  
 81 MAIN ST.  
 EDGARTOWN, MA  
 for  
**COUNTY OF DUKES COUNTY**

1. ALL CITY LICENSES REQUIRED  
 USE OF THIS DOCUMENT IS LICENSED TO THE NAMED PARTY FOR CONSTRUCTION OF THE LISTED PROJECT. AT THE LOCATION STATED. ANY OTHER USE IS PROHIBITED. REPRODUCTION IN WHOLE OR PART IS PROHIBITED WITHOUT WRITTEN PERMISSION.